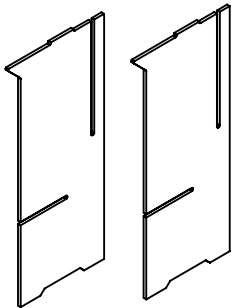


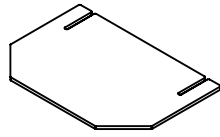
**ASSEMBLY INSTRUCTIONS**

**PLEASE CAREFULLY READ AND FOLLOW ALL THE INSTRUCTIONS IN THE DESIGNATED SEQUENCE.**

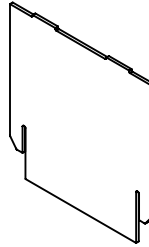
**PARTS LIST:**



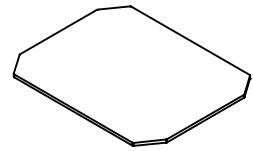
**SIDE PANEL**  
(2 pcs)



**SHELF PANEL**  
(1 pc)



**BACK PANEL**  
(1 pc)



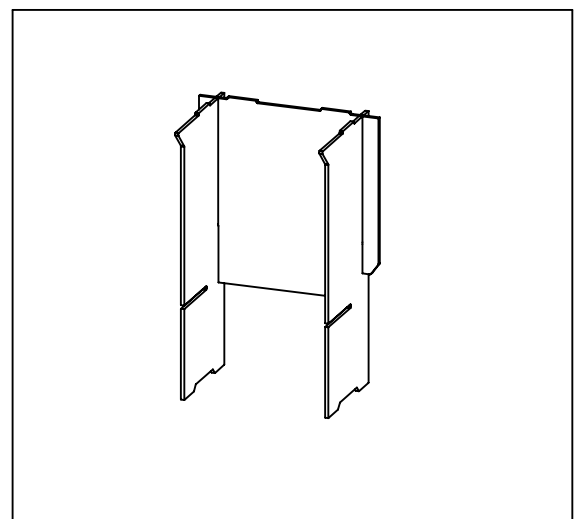
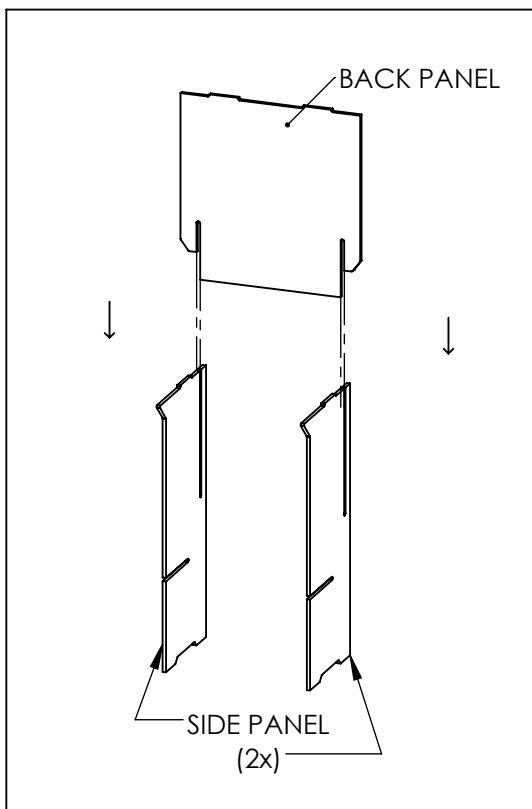
**TOP PANEL**  
(1 pc)

**\*Recommended: 2 Person Assembly**

\*\*RECOMMENDED TOOLS: RUBBER MALLET (Sold Separately)

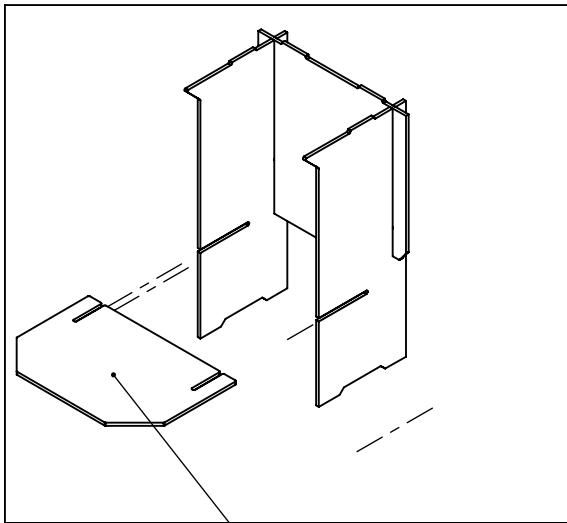
**STEP 1:** On an even flat surface stand both Side Panels upright, as shown below. While holding the Side Panels upright, simultaneously slide the slots of the Back Panel into the corresponding vertical slots of both Side Panels.

*Note: If needed, using a rubber mallet (sold separately), gently tap the parts into place.*

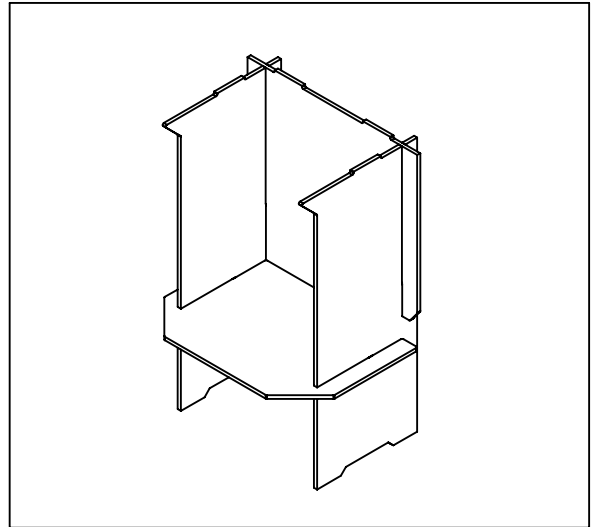


**ASSEMBLY INSTRUCTIONS** PLEASE CAREFULLY READ AND FOLLOW ALL THE INSTRUCTIONS IN THE DESIGNATED SEQUENCE.

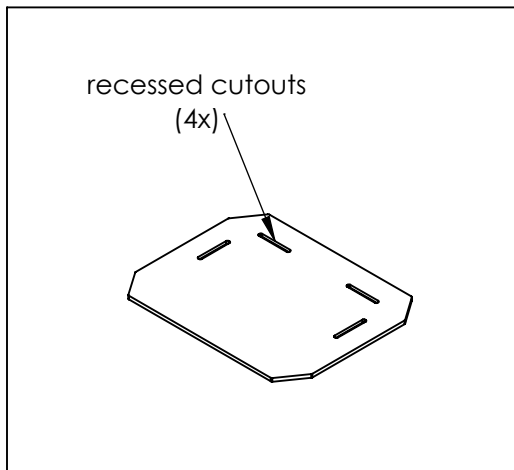
**STEP 2:** Insert the Shelf Panel into the corresponding slot of each Side Panel, as shown below. *Note: If needed, using a rubber mallet (sold separately), gently tap the parts into place.*



Middle Shelf

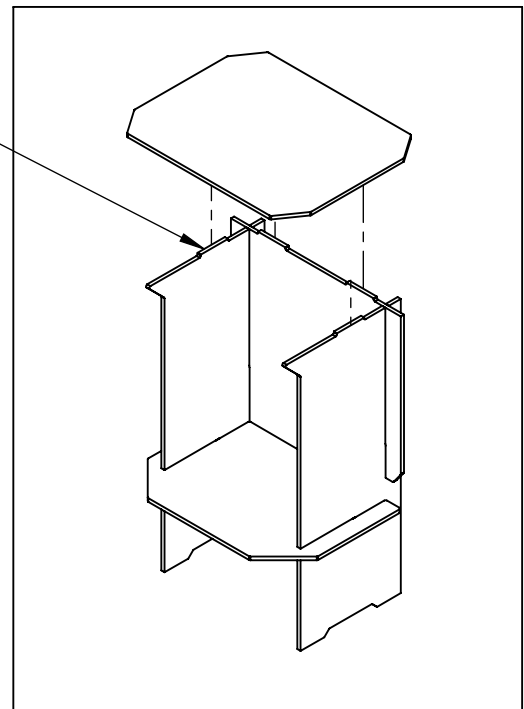


**STEP 3:** Place the Top Panel on the Back Panel and Side Panels. Align all four recessed cutouts in the Top Panel with the corresponding tabs on the Back Panel and Side Panels, as shown below.



TOP PANEL  
(bottom view)

tabs  
(4x)



**ASSEMBLY INSTRUCTIONS** PLEASE CAREFULLY READ AND FOLLOW ALL THE INSTRUCTIONS IN THE DESIGNATED SEQUENCE.

# ASSEMBLY COMPLETED

